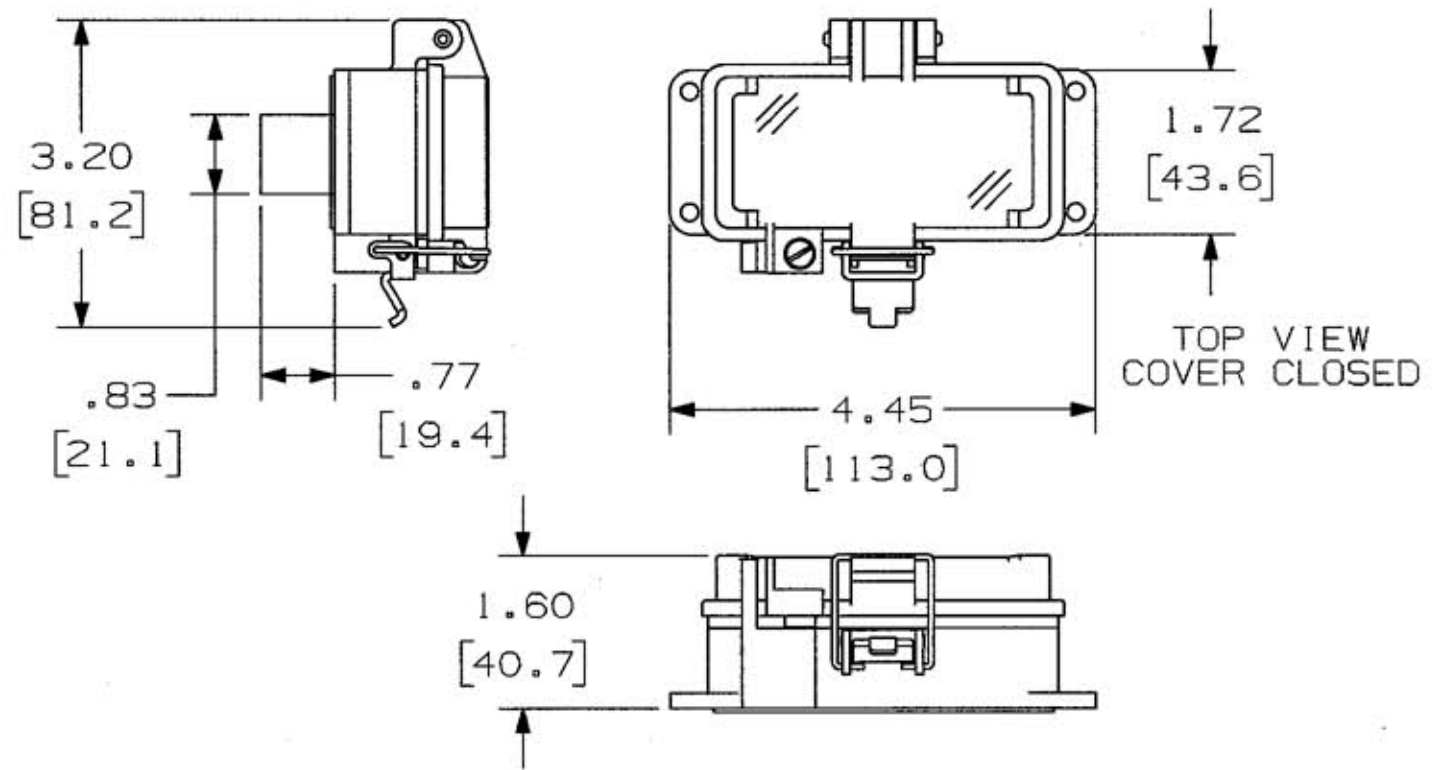
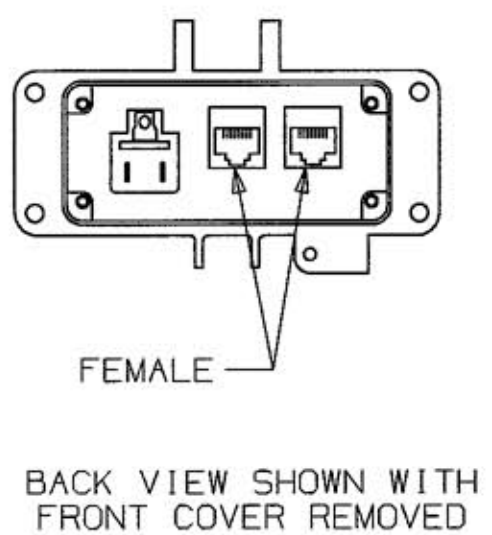
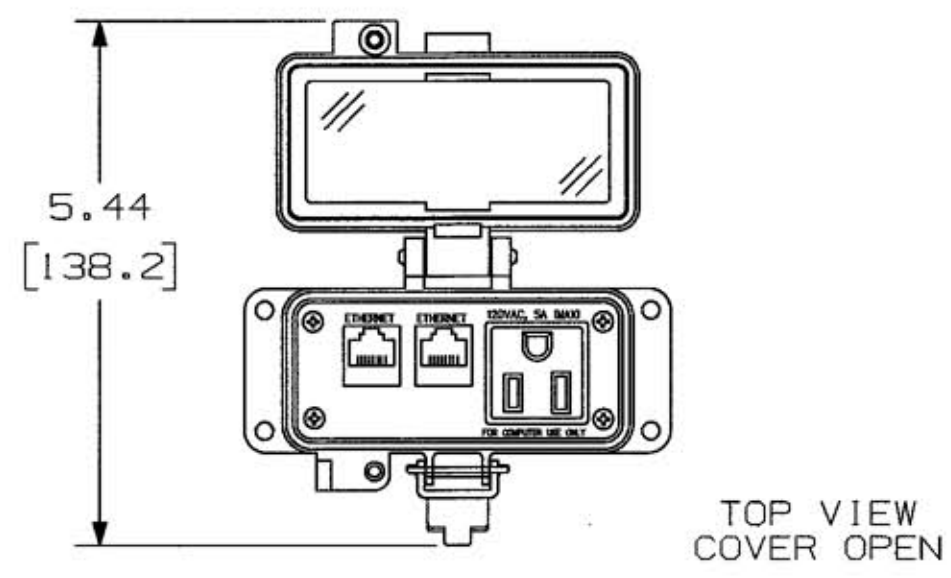
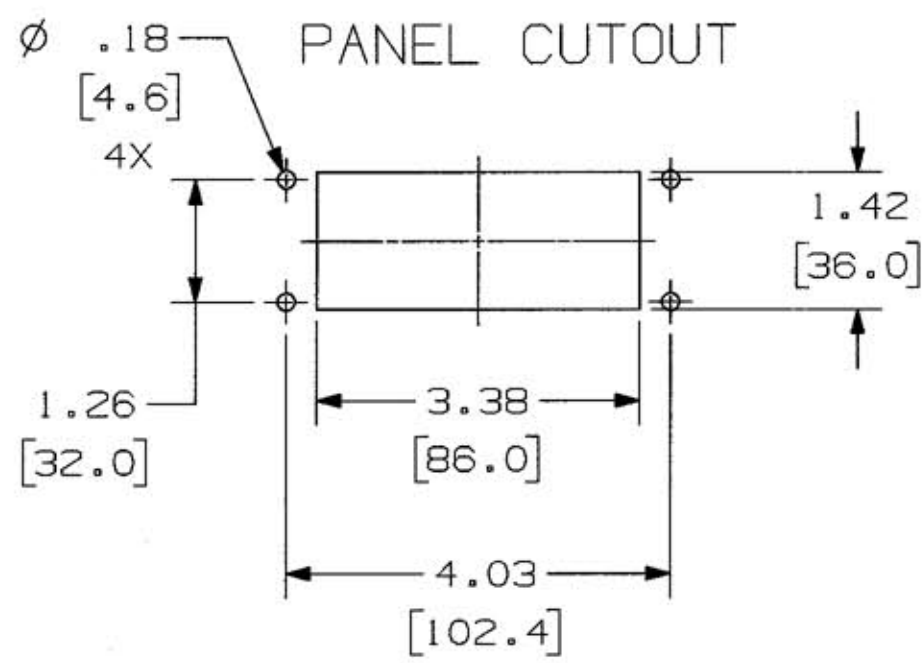


M-10797 1



NOTE:  
1. DIMENSIONS ARE NOMINAL VALUES AND SHOWN IN INCH [mm] UNITS. DIMENSIONS ARE FOR REFERENCE ONLY.

CATALOG	ENCLOSURE RATING	DESCRIPTION
P155E2	NEMA 4	(2) CAT 5E, ETHERNET, 15A/120VAC

LIST OF PARTS		
DESCRIPTION	MATERIAL	FINISH

REVISIONS			
SYMBOL	REVISIONS	APP	DATE
1	INITIAL RELEASE PER DCN 14333 RCM	JPP	10/18/07

THE DESIGN AND DIMENSIONS OF THE PRODUCT SHOWN ON THIS DRAWING ARE SUBJECT TO CHANGE WITHOUT NOTICE

TITLE  
PANEL-SAFE, (2) CAT 5E  
ETHERNET, 15A/120VAC  
NEMA 4

TOLERANCES UNLESS OTHERWISE SPECIFIED		WIRING DEVICE-KELLEMS HUBBELL INCORPORATED BRIDGEPORT, CT	
FRACTIONS	±1/64	DR. BY	RCM
DECIMALS	±.005	APP. BY	JPP
ANGLES	±2°	TR. BY	SCALE 1:2
		CHK'D BY	JPP
		DATE	10/18/07

DIMENSION SHEET FOR CAT. NO. M-10797 1  
 REPAIRABLE  NON-REPAIRABLE